

Cadco, Ltd.
Specialists in Countertop Convection Ovens

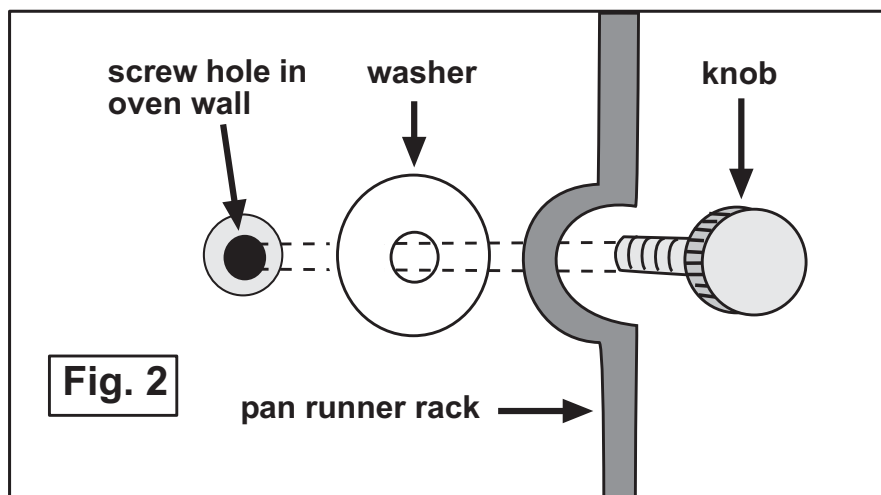
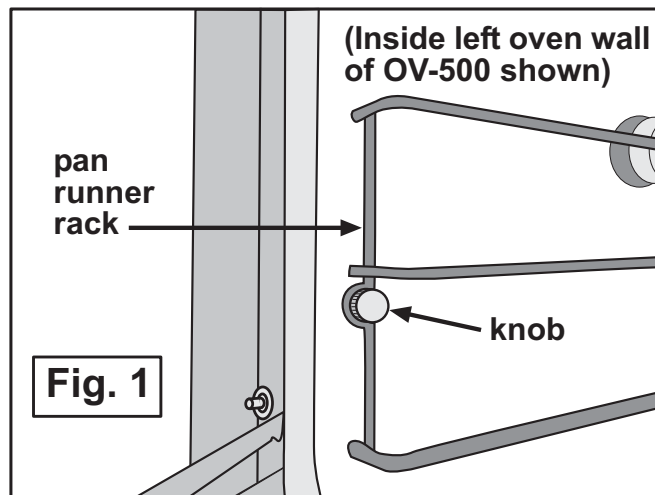
IMPORTANT NOTE

**Cadco OV-500 & OV-600 Pan Runner Rack Washer Adjustment
(to adjust pan runners to fit your pan length)**

If using full size sheet pans without using optional shelves, you may need to adjust the pan runner racks to accomodate slight variations of length in different brands of sheet pans.

To tighten pan runner racks if pan fit is too loose:

- 1) Unscrew the knob holding pan runner rack to oven wall. (Fig. 1)
- 2) Pull pan runner rack away from wall slightly, and position a washer (provided) between pan runner rack and oven wall, in the position shown. (Fig. 2)
- 3) Screw the knob back into the oven wall to hold the washer and pan runner rack.



1/23/2002 RV01